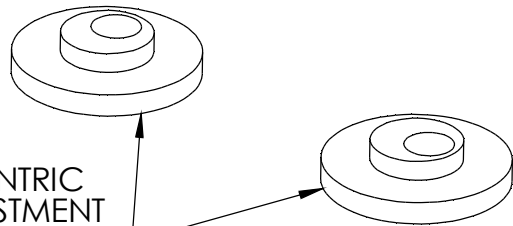
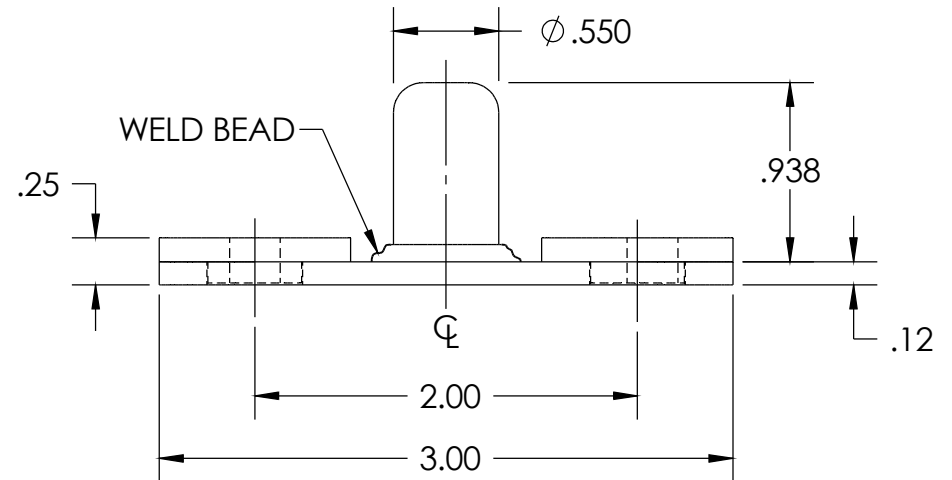
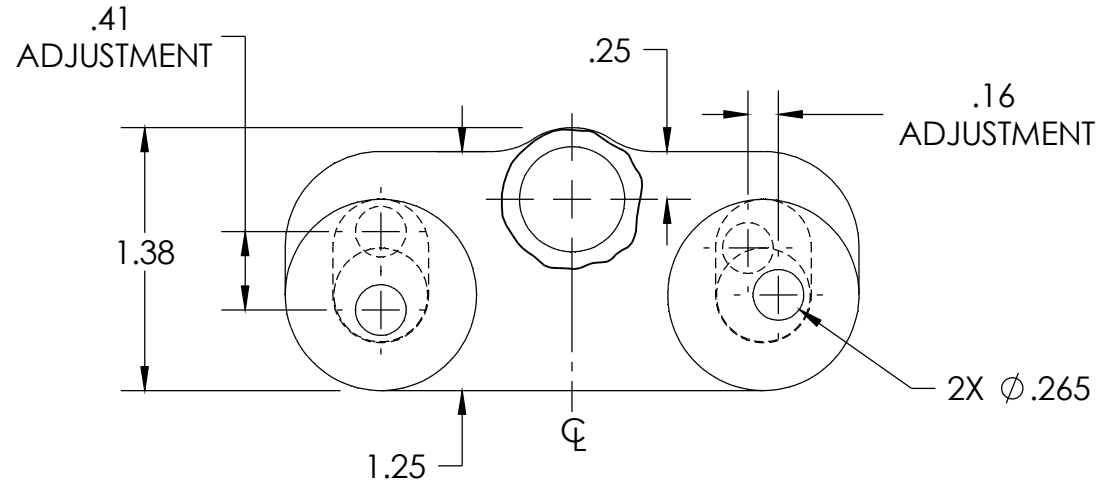


STRIKER



ECCENTRIC
ADJUSTMENT
WASHERS (2)



NOTES:

1. MATERIAL : CARBON STEEL STRIKER ASSY
ZINC ALLOY (ZAMAK) WASHERS
2. FINISH : ZINC PLATING ON STRIKER ASSY
CLEAR CHROMATE ON WASHERS
3. PART IS SYMMETRICAL ABOUT CENTERLINES SHOWN
4. DIMENSIONS ARE FOR REFERENCE ONLY



DESCRIPTION:	ADJUSTABLE STRIKER	Weight	0.38 LBS
Part Number:	S459XXSAZNXX	REV	-

PROPRIETARY NOTICE: THIS DRAWING IS EXCLUSIVELY THE PROPERTY OF HANSEN INTERNATIONAL INC. AND SHALL NOT BE COPIED OR PASSED ON TO A THIRD PARTY WITHOUT OUR PRIOR WRITTEN APPROVAL. WE WILL RETAIN ALL RIGHTS FOR PATENT ISSUE OR REGISTRATION OF DESIGN.
©2018 Hansen International, Inc.